

DOWELL PIN PULLERS

For matrix, casting and press-moulding



YDP-13

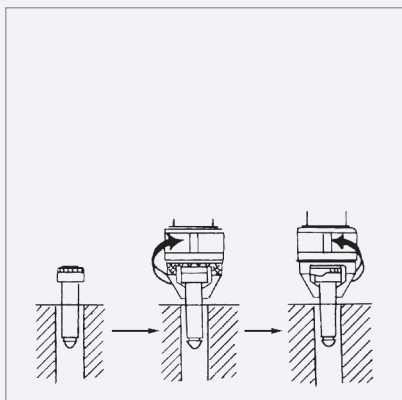


YDP-20

The YOKOTA dowel pin puller is used in matrix, casting and press-moulding industries, for setting and removing dowel pins in moulds or presses. The dowel pin puller is an easily operated air tool that simplifies the pulling or hammering operation of threaded dowel pins, saving time and improving working efficiency.

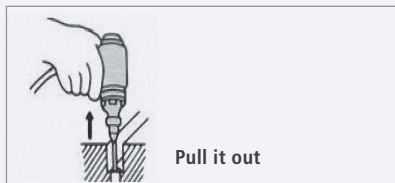
Type	Brand	Capacity pin mm	Stroke mm	Blows min ⁻¹	Air cons. l/s	Weight kg	Inlet-thread	Hose diameter mm
YDP-13	YOKOTA	13	30 x 25	5.000	3,3	1,35	PT 1/4"	6,5
YDP-20	YOKOTA	20	36 x 33	2.700	4,3	2,10	PT 1/4"	6,5

PULLING & HAMMERING OPERATION



Pulling operation

1. Screw hanger bolt to threaded pin.
2. Fit dowel pin to guide hole.
3. Lock hanger bolt.
4. Operate the tool to pull up the pin.



Hammering operation

1. Screw hanger bolt to threaded pin.
2. Fit dowel pin to guide hole.
3. Place the tool reversed on dowel pin.
4. Operate the tool to hammer dowel pin.



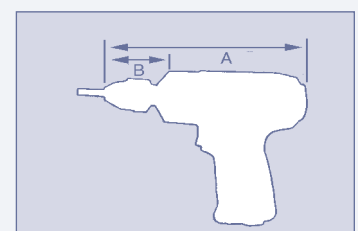
ACCESSORIES

Hanger bolts for YDP-13	Order number		Hanger bolts for YDP-20	Order number	
M8 x 29L	6502-0022-00-01		M12 x 36L	6503-0022-00-01	
M6 x 23L	6502-0022-00-02		M10 x 33L	6503-0022-00-02	
M5 x 21L	6502-0022-00-03		M8 x 32L	6503-0022-00-03	
M4 x 21L	6502-0022-00-04		M8 x 100L	6503-0022-00-04	
M8 x 50L	6502-0022-00-05		M8 x 150L	6503-0022-00-05	
M8 x 100L	6502-0022-00-06		M8 x 200L	6503-0022-00-06	
M8 x 150L	6502-0022-00-07		M10 x 100L	6503-0022-00-07	
M8 x 200L	6502-0022-00-08		M10 x 150L	6503-0022-00-08	
M6 x 50L	6502-0022-00-09	*	M10 x 200L	6503-0022-00-09	
M6 x 100L	6502-0022-00-10		M12 x 100L	6503-0022-00-10	
M6 x 150L	6502-0022-00-11		M12 x 150L	6503-0022-00-11	
M6 x 200L	6502-0022-00-12		M12 x 200L	6503-0022-00-12	
M5 x 50L	6502-0022-00-13	*	M8 x 50L	6503-0022-00-13	*
M5 x 100L	6502-0022-00-14		M10 x 50L	6503-0022-00-14	*
M5 x 150L	6502-0022-00-15		M12 x 50L	6503-0022-00-15	*
M5 x 200L	6502-0022-00-16		M6 x 50L	6503-0022-00-16	
M4 x 50L	6502-0022-00-17	*			
M4 x 100L	6502-0022-00-18				
M4 x 150L	6502-0022-00-19				
M4 x 200L	6502-0022-00-20				

L = Length
* Suplied as standard



DIMENSIONS



Type	A mm	B mm
YDP-13	162	75
YDP-20	195	82