



SHUT-OFF PISTOL MODELS



1/4" Hex drive

Type	Square / Hex drive	Bolt capacity mm	RPM	Torque range Nm	Air consumption l/sec	Weight kg	Inlet-thread	Hose diameter mm	Noise-level dB(A)
RRI-30AT	1/4" Hex	6	4.600	6 - 12,5	3,7	0,89	PT 1/4"	6,5	78
RRI-40AT	1/4" Hex	6-8	4.600	10 - 18	3,7	0,92	PT 1/4"	6,5	78
RRI-50AT	1/4" Hex	8	7.200	16 - 26	5,3	0,92	PT 1/4"	6,5	80
RRI-60AT	1/4" Hex	8	6.200	20 - 30	6,2	1,0	PT 1/4"	8	82
RRI-70AT	1/4" Hex	10	7.200	32 - 47	7	1,35	PT 1/4"	8	82

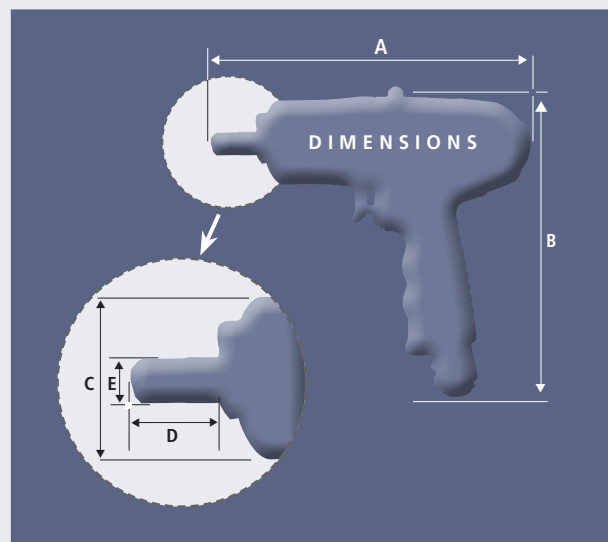


3/8" - 1/2" - 3/4" Square drive

Type	Square / Hex drive	Bolt capacity mm	RPM	Torque range Nm	Air consumption l/sec	Weight kg	Inlet-thread	Hose diameter mm	Noise-level dB(A)
RRI-30T	3/8" Square	6	4.600	7 - 12,5	3,7	0,89	PT 1/4"	6,5	78
RRI-40T	3/8" Square	6-8	4.600	11 - 19	3,7	0,92	PT 1/4"	6,5	78
RRI-50T	3/8" Square	8	7.200	16 - 27	5,3	0,92	PT 1/4"	6,5	80
RRI-60T	3/8" Square	8-10	6.200	22 - 35	6,2	1	PT 1/4"	8	82
RRI-70T	3/8" Square	10	7.200	37 - 57	7	1,35	PT 1/4"	8	82
RRI-80T	3/8" Square	10-12	5.100	40 - 68	9,3	1,21	PT 1/4"	8	82
RRI-90T	1/2" Square	12	5.400	64 - 90	8,3	1,55	PT 1/4"	8	83
RRI-100T	1/2" Square	12-14	5.300	85 - 120	8,7	1,87	PT 1/4"	8	84
RRI-130T	1/2" Square	14-16	3.600	123 - 148	11,6	2,26	PT 1/4"	11	86
RRI-150T	3/4" Square	16	3.700	165 - 210	11,6	3,10	PT 1/4"	11	86
RRI-180T	3/4" Square	16-18	2.700	180 - 255	12,2	3,8	PT 1/4"	11	86
RRI-200T	3/4" Square	18-20	3.000	230 - 450	26	4,25	PT 3/8"	12,7	88

DIMENSIONS

Type	A mm	B mm	C mm	D mm	E mm
RRI-30AT	163	168	Ø46	21	Ø17,5
RRI-40AT	170	168	Ø46	27	Ø17,5
RRI-50AT	170	168	Ø46	27	Ø17,5
RRI-60AT	181	168	Ø46	27	Ø17,5
RRI-70AT	194	172	Ø53,5	28	Ø17,5
RRI-30T	163	168	Ø46	24	Ø12
RRI-40T	167	168	Ø46	24	Ø12
RRI-50T	167	168	Ø46	24	Ø12
RRI-60T	178	168	Ø46	24	Ø12
RRI-70T	194	172	Ø53,5	25	Ø12
RRI-80T	194	170	Ø53,5	25	Ø12
RRI-90T	200	192	Ø53,5	31	Ø16
RRI-100T	209	195	Ø59	32	Ø16
RRI-130T	216	204	Ø64	31	Ø16
RRI-150T	239	215	Ø72	40	Ø25
RRI-180T	263	232	Ø78	41	Ø25
RRI-200T	250	239	Ø80	41	Ø25



SHUT-OFF STRAIGHT MODELS



1/4" Hex drive

Type	Hex drive	Bolt capacity mm	RPM	Torque range Nm	Air consumption l/sec	Weight kg	Inlet-thread	Hose diameter mm	Noise-level dB(A)
RRI-30STA	1/4"	6	4.200	6 - 11,5	3,7	0,77	PT 1/4"	6,5	78
RRI-40STA	1/4"	6-8	4.200	10 - 17	3,7	0,8	PT 1/4"	6,5	78
RRI-50STA	1/4"	8	6.800	15 - 25	5,3	0,8	PT 1/4"	6,5	80
RRI-60STA	1/4"	8	6.000	20 - 30	6,2	0,86	PT 1/4"	8	80
RRI-70STA	1/4"	8-10	5.000	28 - 40	6,2	0,97	PT 1/4"	8	80

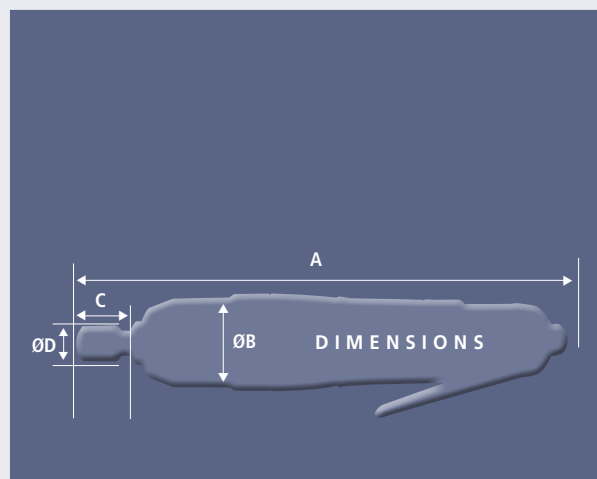


3/8" Square drive

Type	Square drive	Bolt capacity mm	RPM	Torque Range Nm	Air consumption l/sec	Weight kg	Inlet-thread	Hose diameter mm	Noise-level dB(A)
RRI-30ST	3/8"	6	4.200	7 - 12,5	3,7	0,8	PT 1/4"	6,5	78
RRI-40ST	3/8"	6-8	4.200	11 - 19	3,7	0,8	PT 1/4"	6,5	78
RRI-50ST	3/8"	8	6.800	16 - 27	5,3	0,8	PT 1/4"	6,5	80
RRI-60ST	3/8"	8-10	6.000	22 - 35	6,2	0,86	PT 1/4"	8	80
RRI-70ST	3/8"	10	5.000	31 - 47	6,2	0,97	PT 1/4"	8	80
RRI-80ST	3/8"	10-12	6.100	40 - 68	9,3	1,15	PT 1/4"	8	82

DIMENSIONS

Type	A mm	B mm	C mm	D mm
RRI-30STA	219	Ø46	21	Ø17,5
RRI-40STA	224	Ø46	27	Ø17,5
RRI-50STA	224	Ø46	27	Ø17,5
RRI-60STA	225	Ø46	27	Ø17,5
RRI-70STA	244	Ø48	27	Ø17,5
RRI-30ST	219	Ø46	24	Ø12
RRI-40ST	221	Ø46	24	Ø12
RRI-50ST	221	Ø46	24	Ø12
RRI-60ST	231	Ø46	24	Ø12
RRI-70ST	244	Ø48	25	Ø12
RRI-80ST	244	Ø53,5	25	Ø12





SHUT-OFF ANGLE MODELS



1/4" Hex drive

Type	Hex drive	Bolt capacity mm	RPM	Torque range Nm	Air consumption l/sec	Weight kg	Inlet-thread	Hose diameter mm	Noise-level dB(A)
RRI-50RTA	1/4"	6-8	4.300	9,5 - 16	4,8	1,2	PT 1/4"	6,5	80
RRI-60RTA	1/4"	8	4.700	15 - 22	6,2	1,3	PT 1/4"	8	80
RRI-70RTA	1/4"	8	4.500	20 - 29	6,2	1,4	PT 1/4"	8	80



3/8" - 1/2" Square drive

Type	Square drive	Bolt capacity mm	RPM	Torque Range Nm	Air consumption l/sec	Weight kg	Inlet-thread	Hose diameter mm	Noise-level dB(A)
RRI-50RT	3/8"	6-8	4.300	10,5 - 17	4,8	1,2	PT 1/4"	6,5	80
RRI-60RT	3/8"	8	4.700	16 - 24	6,2	1,3	PT 1/4"	8	80
RRI-70RT	3/8"	8-10	4.500	22 - 31	6,2	1,4	PT 1/4"	8	80
RRI-70RGT	3/8"	10	2.000	32 - 45	6,2	1,6	PT 1/4"	8	82
RRI-70RHT	3/8"	10-12	2.200	46 - 60	6,2	1,6	PT 1/4"	8	82
RRI-80RHT	3/8"	10-12	2.800	50 - 70	9,3	1,7	PT 1/4"	8	82

DIMENSIONS

Type	A mm	B mm	C mm	D mm	E mm
RRI-50RTA	253	45	16	16	Ø11
RRI-60RTA	264	45	16	16	Ø11
RRI-70RTA	272	45	16	16	Ø11
RRI-50RT	253	45	14	16	Ø12
RRI-60RT	264	45	14	16	Ø12
RRI-70RT	272	45	14	16	Ø12
RRI-70RGT	281	47	14	21	Ø16
RRI-70RHT	281	47	21	21	Ø16
RRI-80RHT	281	47	21	21	Ø16

